



Hunter

s t o v e s



Warmth of Life



HS-Gas stoves

Exceptional all round good looks are essentially the trade mark of the stoves within the Hunter and HS Gas range, and the gas-fired stoves are no exception to this.

With stoves suitable for traditional and contemporary situations the Hunter and HS Gas Stoves are both attractive and versatile. Take time to enjoy the beautiful flickering flames with their very natural flame picture; both the coal and log fuel-beds are exceptionally realistic.

As well as offering incredible realism, the Hunter and HS Gas Stoves also offer peace of mind by being safe and reliable to use. Add to this their notable efficiencies, which range from 73% to 78%, the overall benefits of having a Hunter gas-fired stove are tangible as well as practical.



NB. All images in this catalogue are for illustrative purposes only.

Contents



Herald 6 Gas	Page 2
Herald 6 Inglenook Gas	Page 4
Hawk 4 Gas	Page 6
Select 6 Gas	Page 8
Selene 6 D Gas	Page 10
Verona 6	Page 12

Technical	Page 14 - 18
-----------	--------------



Herald 6 Gas

The Herald 6 Gas stove capitalises on the award winning styling of the Hunter Herald multi-fuel range. Creative designing offers traditional good looks; this is now combined with the most recent gas-stove technology.

The Herald 6 Gas is one of the few stoves on the market that can operate with the doors open, when the double door option is chosen. With nothing to obstruct the view through the glass, this stove looks even more realistic.



Herald 6 Gas, Low Canopy with Plain Doors, and coal fuel bed

Standard Options Key

Heat output - conventional flue 4.8kW	
Flat top	✓
Double crossed doors	✓
Random coal	✓
Midnight black finish	✓
Manual control	✓

For full technical details and stove options see pages 14/18



Herald 6 Gas, with traditional crossed doors, coal fuel bed with optional longer legs and high canopy



Herald 6 Gas, Flat Top, coal fuel bed with contemporary Single Door



Herald 6 Inglenook Gas

Specifically designed for an inglenook or a larger fireplace, is the Herald 6 Gas Inglenook stove. Offering traditional good looks, the Herald 6 Gas Inglenook is a unique addition to the Hunter range of gas-fired stoves.

Both the sweeping curve of the specially designed canopy and the realism of the flickering yellow flames, draw the eye to what is a very specific but appealing centrepiece for a favourite room.

The Herald 6 inglenook Gas can operate with the doors open. With nothing to obstruct the view through the glass, this stove looks even more realistic.



Herald 6 Gas Inglenook with optional Inglenook canopy, coal fuel bed and contemporary single door

Standard Options Key

Heat output - conventional flue 4.8kW	
Flat top	✓
Double crossed doors	✓
Random coal	✓
Midnight black finish	✓
Manual control	✓

For full technical details and stove options see pages 14/18



Herald 6 Gas Inglenook, Flat top with coal fuel bed and contemporary single door



Herald 6 Gas Inglenook with log fuel bed, traditional crossed doors and 7 1/2" legs as standard



Hawk 4 Gas

The compact Hawk 4 Gas stove is a small stove with a big heart. Its size allows installation in a smaller fireplace, yet the Hawk 4 Gas can still offer a good heat output.

Select the door style to reflect the room decor. Choose from traditional or the contemporary 'D' door.



Hawk 4 Gas, Low Canopy with coal fuel bed and contemporary 'D' door option.

Standard Options Key

Heat output - conventional flue 3.7kW	
Flat top	✓
Single door	✓
Random coal	✓
Midnight black finish	✓
Manual control	✓

For full technical details and stove options see pages 14/18



Hawk 4 Gas, Flat Top with log fuel bed and traditional door option.



Hawk 4 Gas Stove with coal fuel bed and contemporary 'D' door option.



Select 6 Gas

The Select 6 stove is a high quality, solid cast iron, gas-fired stove. Winning the Freestanding Gas Stove and Appliance of the Year at the Hearth & Home Exhibition, the Select 6 is an excellent quality stove.

The Select 6 is one of the few stoves on the market that can operate with the doors open, with nothing to obstruct the view through the glass; this stove looks even more realistic.



Flat Top with Plain Double Doors and log fuel bed.

Standard Options Key

Heat output - conventional flue 4.8kW

Flat top ✓

Double plain door ✓

Random coal effect ✓

Midnight black finish ✓

Manual control ✓

For full technical details and stove options see pages 14/18



Gothic Arch Door option



Flat Top with Gothic Cross Doors and coal fuel bed



Select 6 flat top with plain doors and log fuel bed



Selene 6D Gas

Manufactured from high quality steel, the Selene 6D gas stove adds a new dimension to the gas-fired range from Hunter Stoves. The clever and simple design of the Selene 6D makes it an extremely versatile stove with numerous styling options.

Not only can the Selene offer the traditional good-looks of a Gothic door option, but also a contemporary plain door option. Two very pleasing extremes from one stove design.

The Selene 6D Gas can operate with the doors open, when the double door option is chosen.

With nothing to obstruct the view through the glass, this stove looks even more realistic.



Selene 6D Gas , Flat Top with Plain Double Doors and log fuel bed.

Standard Options Key

Heat output - conventional flue 4.8kW

Flat top ✓

Double plain door ✓

Random coal effect ✓

Midnight black finish ✓

Manual control ✓

For full technical details and stove options see pages 14/18



Gothic Arch Door option



Selene 6D Gas , Low Canopy with Plain Double Doors and log fuel bed.



Selene 6D Gas , Flat Top with Plain Double Doors and log fuel bed.

Selene 6D Gas , High Canopy with Plain Double Doors and coal fuel bed.



Verona 6 Gas

The Verona 6

For a more contemporary gas stove consider the Verona 6. The sleek styling of the Verona stove, especially in the brushed stainless steel finish, would complement the most modern of settings.

Available in matt black steel finish as well, the simplicity of the Verona 6 adds a new dimension to the Hunter range of gas-fired stoves.



Verona 6 in brushed stainless steel with log fuel bed

Standard Options Key

Heat output - conventional flue 4.8kW

Flat top ✓

Matt black finish ✓

Manual control ✓

For full technical details and stove options see pages 14/18



Verona 6 in a matt black finish with coal fuel bed



Verona 6 in brushed stainless steel with log fuel bed



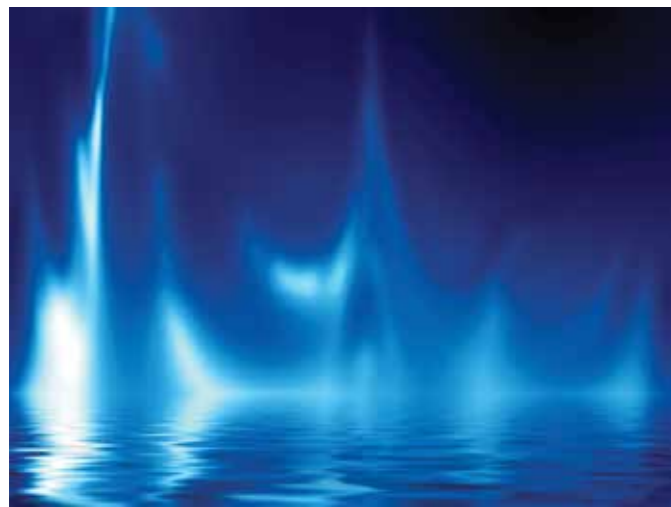
Technical Specification

Gas Type

All of the Hunter and HS Gas Stoves for conventional installation are suitable for both Natural Gas and LPG.

Heat Outputs

For maximum heat outputs see the technical data pages 16- 17. Minimum output is calculated at 70% of the maximum output.



Installation

All of the Hunter Gas stoves are suitable for installation to a standard solid fuel Class 1 flue and a Class 2 flue.

Depending on the situation, the stoves may be either rear flued or flued from the top of the stove.

Fuel Type

All of the Hunter and HS Gas stoves offer an exceptionally realistic fuel bed, either a random coal or log effect. It is also possible, even after installation, to change your chosen fuel bed. Whilst the stove remains in situ, a change can be made from coal to wood or vice versa should you desire. (See note *)

Safety Features

For that extra peace of mind, each stove features an oxy pilot to safely monitor the oxygen level in the room; should this fall below an acceptable level the stove turns itself off. Likewise with the flame failure device, this safely cuts off the gas supply should the flame be extinguished

Control

All the Hunter and HS Gas stoves are supplied with a top quality manual control as standard. However, for added convenience, a hand-held full remote control is available as an optional extra on all the stoves except the Hawk. The remote control handset can switch the stove on from a permanent pilot, and off, and adjust the flame picture. Should the need arise a manual override ensures continued operation of the stove.

Choices, choices

There are many options for styling within the Hunter HS Gas range to allow you get your stove just the way you want it.



Please see each individual product range for the specific door, canopy and fuel options available or refer to the technical key on page 18.

Optional Extras

As an optional extra it is possible to have any of the stoves with brass door knobs, either single, double or as a set, depending on model.



All of the stoves are available in a midnight black finish (see left) except the Verona (page 12), which also has a brushed stainless steel finish.



* Fuel effect can only be changed by a registered engineer



Technical Key



From the left:
Optional cloudy blue midnight black
and forrest green finishes

	Herald 6 Gas	Herald 6 Inglenook Gas	Hawk 4 Gas	Select 6 Gas	Selene 6 D Gas	Verona 6
output nominal /max Kw	Conventional flue 4.8kW	Conventional flue 4.8kW	Conventional flue 3.7kW	Conventional flue 4.8kW	Conventional flue 4.8kW	Conventional flue 4.8kW
Natural gas	•	•	•	•	•	•
LPG	•	•	•	•	•	•
Flat top option	✓	✓	✓	✓	✓	✓
Low canopy option	•	~	•	~	•	~
High canopy option	•	•	~	~	•	~
Inglenook canopy	•	•	~	~	•	~
Single door option	•	•	✓	~	~	~
Double door option	✓	✓	~	✓	✓	~
Double crossed doors option	✓	✓	~	~	~	~
Gothic arch doors	~	~	~	•	•	~
Gothic cross doors	~	~	~	•	•	~
Brass door knobs set	•	•	•	•	•	~
Random coal	✓	✓	✓	✓	✓	✓
Realistic log	•	•	•	•	•	•
Manual control	✓	✓	✓	✓	✓	✓
Remote control	•	•	~	•	•	•
Brushed Stainless steel finish	~	~	~	~	~	•
Midnight black finish	✓	✓	✓	✓	✓	✓
Forest green finish	•	•	•	•	•	•
Cloudy blue finish	•	•	•	•	•	•
Brushed stainless steel flue	~	~	~	~	~	•
Leg option 5"	~	~	~	•	~	~
Leg lengths	(min 5", standard 6" up to max 9")	(min 5", standard 7 1/2" up to max 9")	(min 4", standard 5" up to max 9"	~	Leg lengths min 5", standard 6", max 9"	~



Gothic Arch Door option



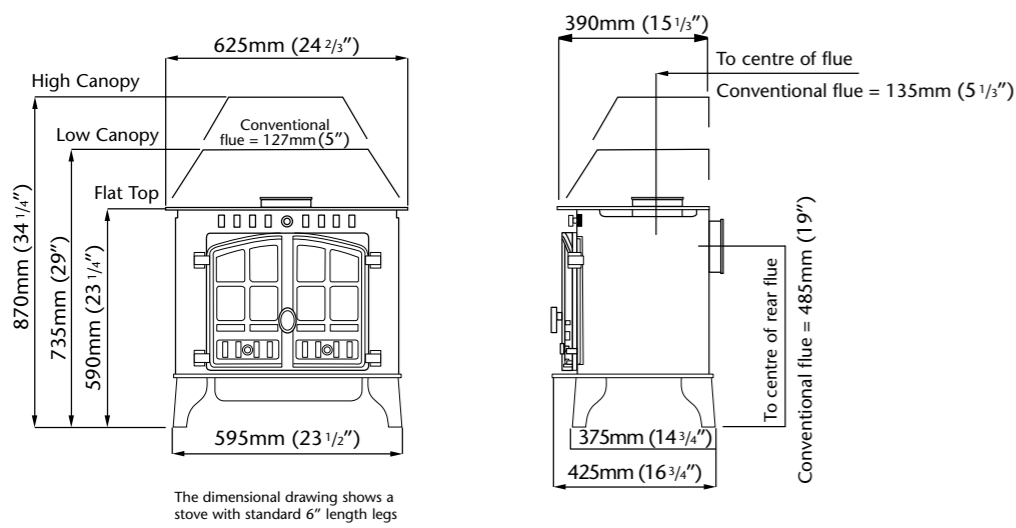
Brass door knob set



✓ = standard
• = option
~ = not available



Technical Data

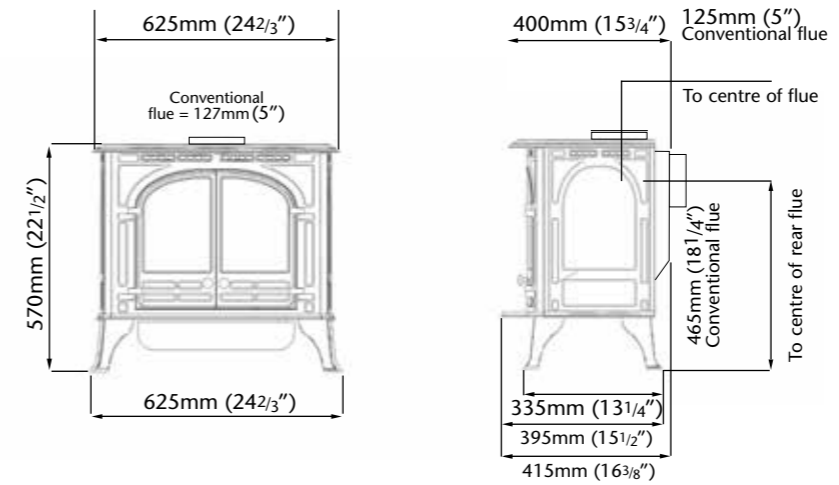


The Herald 6 Gas

Heat Inputs/Outputs

Conventional Flue
 Max Heat Input = 6.5kW
 Max Heat Output = 4.8kW

Efficiency
 73 – 77%

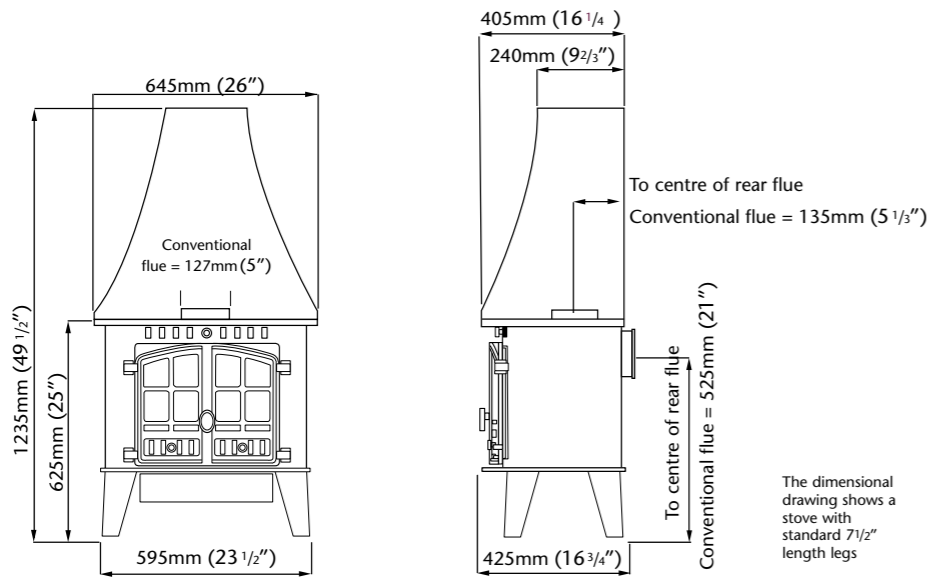


The Select 6 Gas

Heat Inputs/Outputs

Conventional Flue
 Max Heat Input = 6.5kW
 Max Heat Output = 4.8kW

Efficiency
 73 – 77%

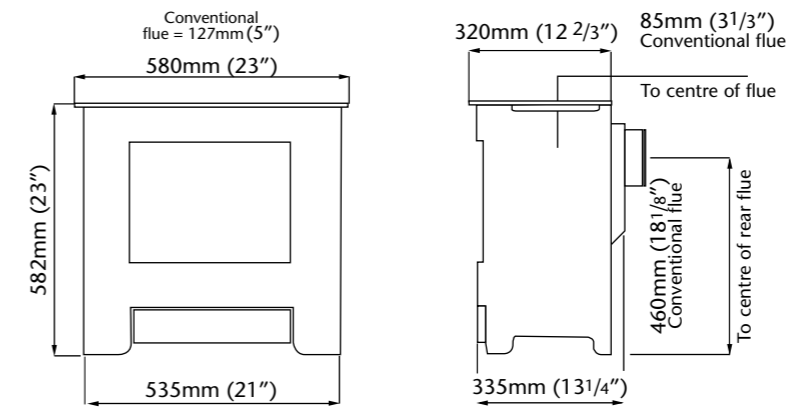


The Herald 6 Gas Inglenook

Heat Inputs/Outputs

Conventional Flue
 Max Heat Input = 6.5kW
 Max Heat Output = 4.8kW

Efficiency
 73 – 77%

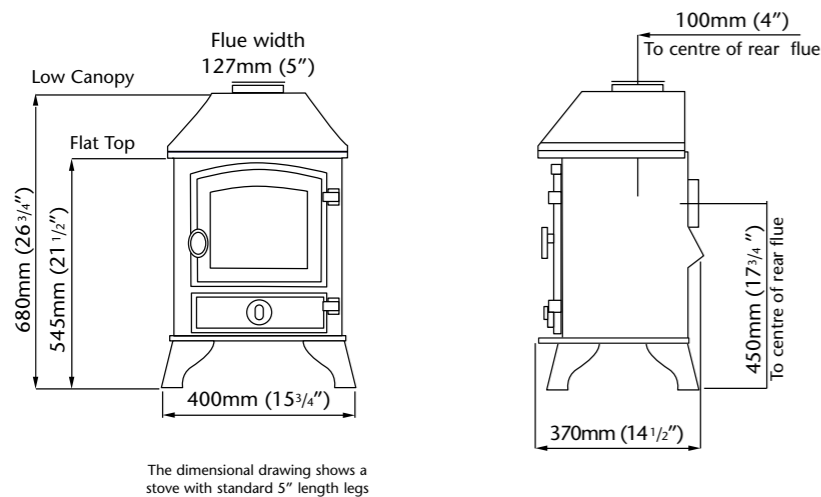


The Verona 6 Gas

Heat Inputs/Outputs

Conventional Flue
 Max Heat Input = 6.5kW
 Max Heat Output = 4.8kW

Efficiency
 73 – 77%

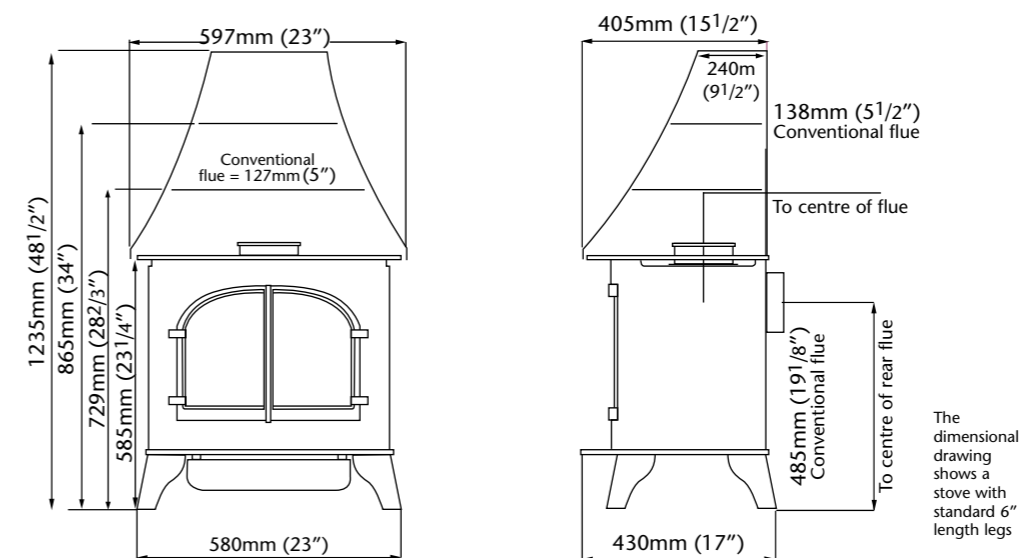


The Hawk 4 Gas

Heat Inputs/Outputs

Conventional Flue
 Max Heat Input = 4.8kW
 Max Heat Output = 3.7kW

Efficiency
 75 – 78%



The Selene 6D Gas

Heat Inputs/Outputs

Conventional Flue
 Max Heat Input = 6.5kW
 Max Heat Output = 4.8kW

Efficiency
 73 – 77%



Hawk 4 Gas Stove with coal fuel bed and contemporary 'D' door option

An alternative . . .



For our larger output, central heating and double sided multifuel stoves contact your local dealer for our Herald 8, 14, 80b and High Output Inglenook catalogue or visit the Hunter Stoves website at www.hunterstoves.co.uk





Your Hunter dealer

Hunter Stoves Limited
Unit 6 Old Mill Industrial Estate
Stoke Canon
Devon EX5 4RJ